

## DESCRIPTION

AMC MODEL SWN-1140-3DT-STANDARD OPTION: 517, B02MINUS15V, PLUS15V IS AN ABSORPTIVE/NON-REFLECTIVE SINGLE POLE THREE THROW SWITCH DESIGNED TO OPERATE OVER THE FULL 5.9 TO 17 GHz FREQUENCY RANGE.

## SPECIFICATIONS

- FREQUENCY RANGE: .....5.9 TO 17 GHz
- INSERTION LOSS: .....3.75 dB MAXIMUM
- ISOLATION: .....70 dB MINIMUM
- VSWR: .....2.0:1
- RISE TIME: .....10 nSec TYPICAL, 15 nSec MAXIMUM
- FALL TIME: .....10 nSec TYPICAL, 15 nSec MAXIMUM
- DELAY ON: .....75 nSec TYPICAL, 100 nSec MAXIMUM
- DELAY OFF: .....75 nSec TYPICAL, 100 nSec MAXIMUM
- POWER INPUT: .....(CW)+20 dBm (STANDARD), +10 dBm (HIGH SPEED)
- SURVIVAL POWER: .....1 WATT CW, 10 WATTS PEAK 1  $\mu$ Sec
- CONTROL: .....TTL LOGIC "0" = ON  
TTL LOGIC "1" = OFF
- POWER SUPPLY: .....+15V @ 150 mA MAXIMUM  
-15V @ 100 mA MAXIMUM
- CONNECTORS:  
RF: .....SMA FEMALE  
CONTROL: .....SOLDER PIN
- SIZE: .....1.25" (L) x 1.25" (W) x 0.40" (H)

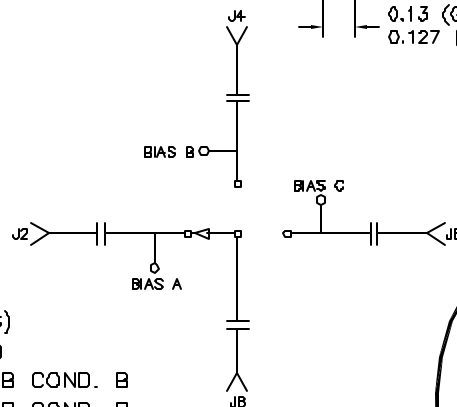
## OPTIONS:

- 517: .....OPTIMIZED FOR 5.9 TO 17 GHz OPERATION
- B02MINUS15V: .....-15V POWER SUPPLY
- PLUS15V: .....+15V POWER SUPPLY

## ENVIRONMENTAL RATINGS:

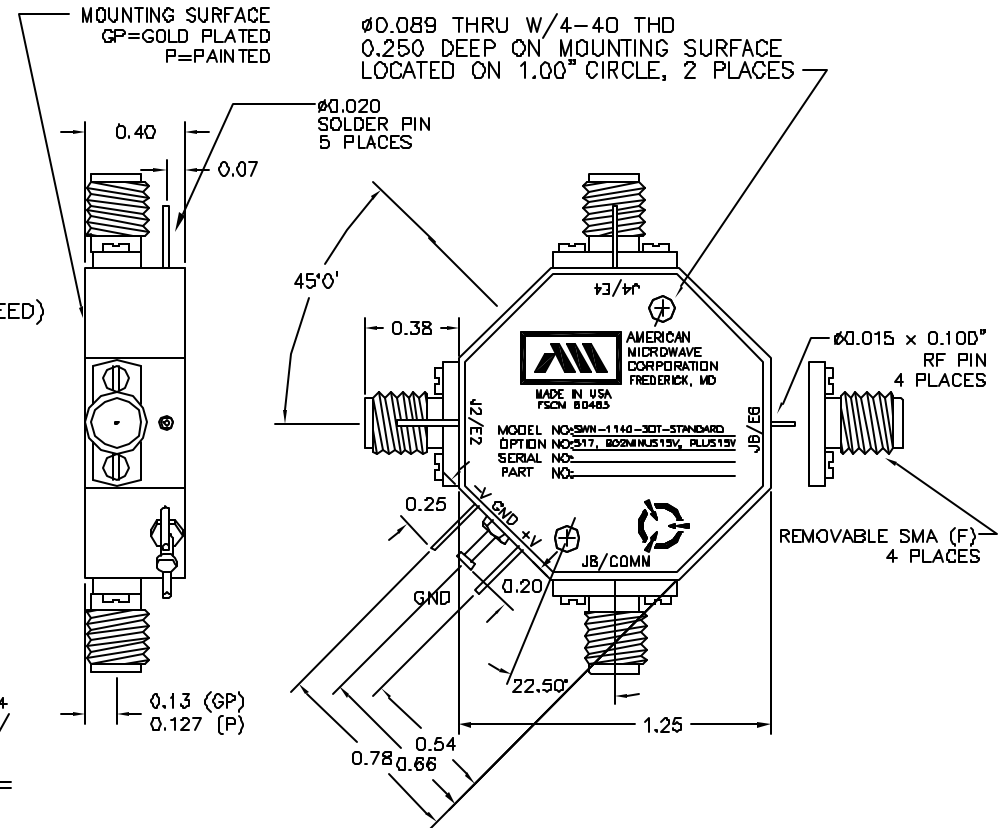
- TEMPERATURE: .....-55°C TO +85°C (OPERATING)  
-65°C TO +125°C (STORAGE)
- HUMIDITY: .....MIL-STD-202F, METHOD 103B COND. B
- SHOCK: .....MIL-STD-202F, METHOD 213B COND. B
- VIBRATION: .....MIL-STD-202F, METHOD 204D COND. B
- ALTITUDE: .....MIL-STD-202F, METHOD 105C COND. B
- TEMPERATURE CYCLE: .....MIL-STD-202F, METHOD 107D COND. A

NOTE: SPECIFICATIONS WILL VARY OVER OPERATING TEMPERATURE  
NOTE: THE ABOVE SPECIFICATIONS ARE SUBJECT TO CHANGE OR REVISION



ALL DIMENSIONS ARE IN INCHES  
TOLERANCES:  
X.XX ±0.020  
X.XXX ±0.010

REVISIONS				
ZONE	REV.	DESCRIPTION	DATE	APPROVED
	-	ORIGINAL RELEASE JOB# 505129-2	5/28/05	



## AMERICAN MICROWAVE CORPORATION

7311-G GROVE ROAD  
FREDERICK, MARYLAND 21704 USA  
TEL: 301-662-4700 FAX: 301-662-4938  
WEBSITE: [www.americanmicrowavecorp.com](http://www.americanmicrowavecorp.com)  
E-MAIL: [sales@americanmicrowavecorp.com](mailto:sales@americanmicrowavecorp.com)  
ISO 9001:2000 CERTIFIED

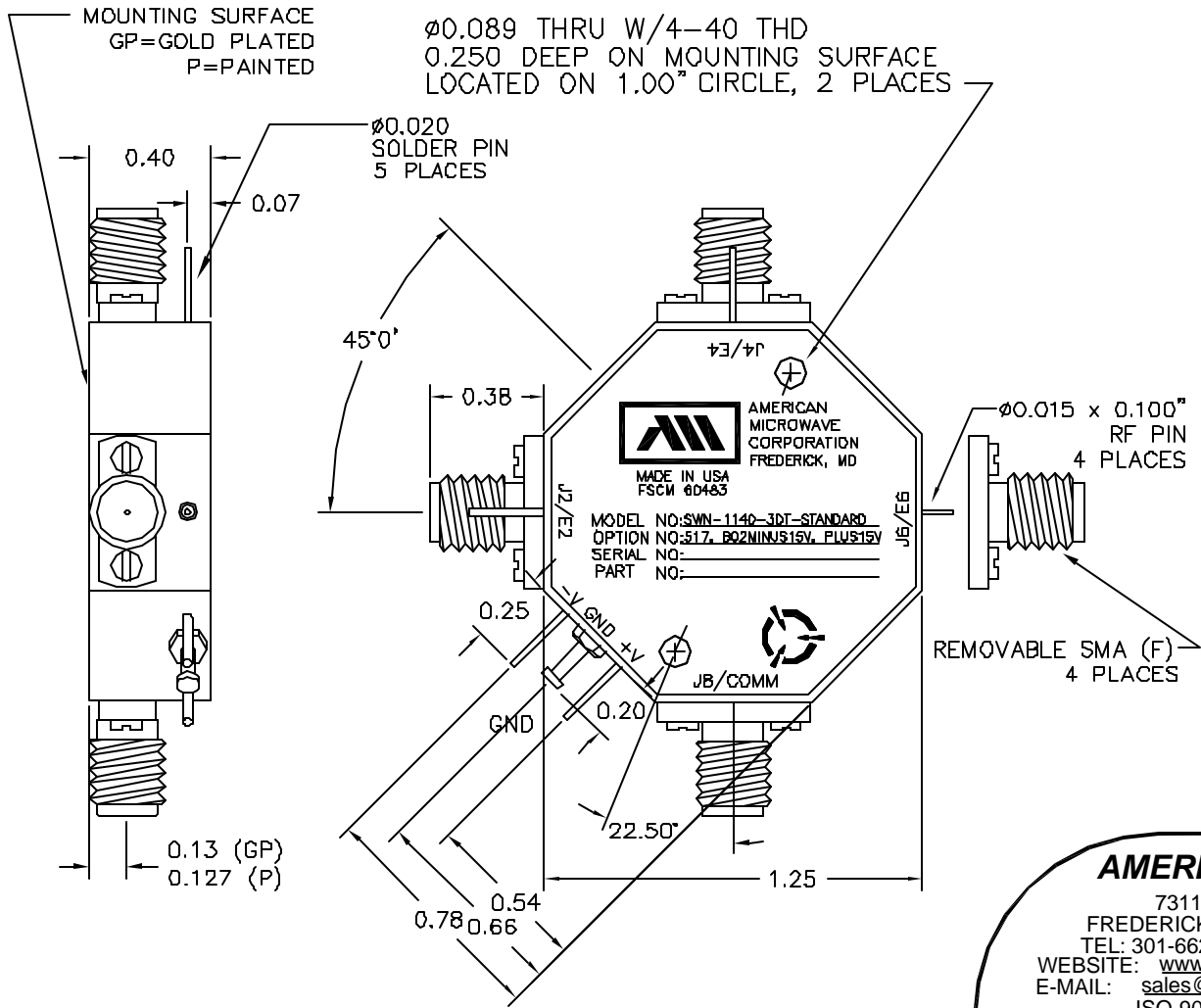


APPROVALS		DATE	TITLE		REV.
DRAWN: JDS		5/28/05	PRODUCT FEATURE		
CHECKED:			SWN-1140-3DT-STANDARD		
ISSUED:			OPTION: 517, B02MINUS15V, PLUS15V		
			5.9-17 GHz, SINGLE POLE THREE THROW SWITCH		
SIZE	FSCM NO.	DWG NO.			
A	60483	100-7448			-
SCALE N:S			SHEET		1 OF 3

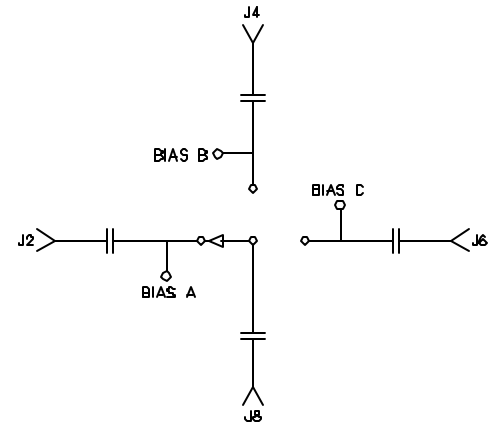
# DESCRIPTION

AMC MODEL SWN-1140-3DT-STANDARD OPTION: 517, B02MINUS15V, PLUS15V IS AN ABSORPTIVE/NON-REFLECTIVE SINGLE POLE THREE THROW SWITCH DESIGNED TO OPERATE OVER THE FULL 5.9 TO 17 GHz FREQUENCY RANGE.

REVISIONS				
ZONE	REV.	DESCRIPTION	DATE	APPROVED
-		ORIGINAL RELEASE JOB# 505129-2	5/28/05	



# MECHANICAL OUTLINE



ALL DIMENSIONS ARE IN INCHES  
 TOLERANCES:  
 X.XX ±0.020  
 X.XXX ±0.010

# AMERICAN MICROWAVE CORPORATION

7311-G GROVE ROAD  
 FREDERICK, MARYLAND 21704 USA  
 TEL: 301-662-4700 FAX: 301-662-4938  
 WEBSITE: [www.americanmicrowavecorp.com](http://www.americanmicrowavecorp.com)  
 E-MAIL: [sales@americanmicrowavecorp.com](mailto:sales@americanmicrowavecorp.com)  
 ISO 9001:2000 CERTIFIED



APPROVALS		DATE	TITLE		
DRAWN	<i>[Signature]</i>	5/28/05	MECHANICAL OUTLINE		
CHECKED			SWN-1140-3DT-STANDARD		
ISSUED			OPTION: 517, B02MINUS15V, PLUS15V		
			5.9-17 GHz, SINGLE POLE THREE THROW SWITCH		
			SIZE	FSCM NO.	DWG NO.
			A	60483	100-7448
			SCALE	SHEET	
			N:S	2 OF 3	